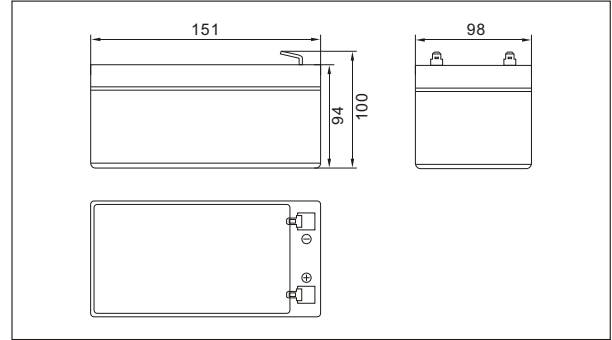




SW12120(12V12AH)



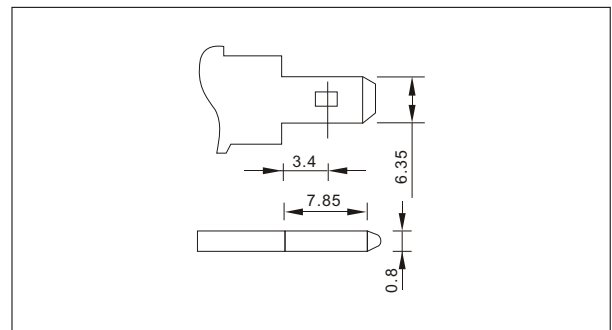
● Outer dimensions (mm)



● Specifications

| | | |
|-------------------------------|-------------------|----------------------|
| Nominal Voltage | 12V | |
| Rated capacity (20 hour rate) | 12Ah | |
| Dimensions | Total Height | 100 mm (3.94 inches) |
| | Height | 94 mm (3.70 inches) |
| | Length | 151 mm (5.94 inches) |
| | Width | 98 mm (3.86 inches) |
| Weight Approx | 3.8 Kg (8.38 lbs) | |

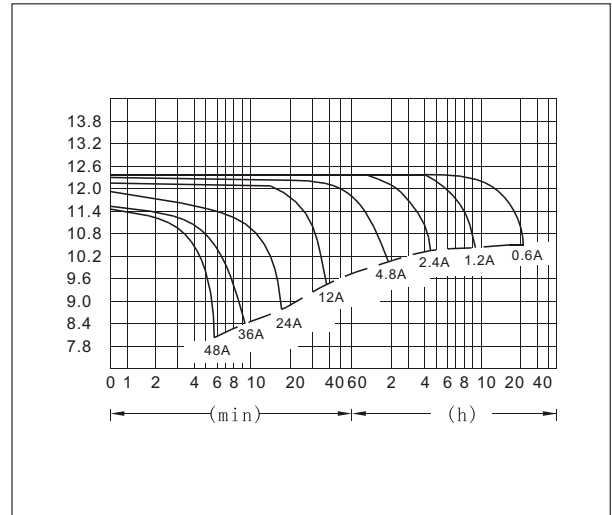
● Terminal Type (mm)



● Characteristics

| | | |
|---|------------------------------------|--|
| Capacity 25°C(77°F) | 20 hour rate(0.60 A) | 12 AH |
| | 10 hour rate(1.10 A) | 11.0 AH |
| | 5 hour rate(2.04 A) | 10.2 AH |
| | 1 hour rate(7.20 A) | 7.20 AH |
| | 1.5 hour discharge to 10.5V | 4.8 A |
| Internal Resistance | Full charged Battery at 25°C(77°F) | 13 mΩ |
| Capacity affected by Temperature (20hour rate) | 40°C(104°F) | 102% |
| | 25°C(77°F) | 100% |
| | 0°C(32°F) | 85% |
| | -15°C(5°F) | 65% |
| Self-Discharge at 25°C(77°F) | Capacity after 3 month storage | 91% |
| | Capacity after 6 month storage | 82% |
| | Capacity after 12 month storage | 64% |
| Terminal | T2, T3 | |
| Charge (constant Voltage) | Cycle | Initial Charging Current less than 4.80A Voltage 14.10-14.40V |
| | Float | Voltage 13.50-13.80V |

● Discharge Curves 25°C(77°F)



Constant Current(Amp) and Constant Power(Watt) Discharge Table at 25°C(77°F)

| Time | 5min | 10min | 15min | 30min | 1h | 2h | 3h | 4h | 5h | 8h | 10h | 20h |
|--------|------|-------|-------|-------|-------|------|------|-------|-------|-------|-------|------|
| 9.60V | A | 48.00 | 32.40 | 22.80 | 13.80 | 7.20 | 4.20 | 3.09 | 2.48 | 2.11 | 1.39 | 0.62 |
| | W | 509.5 | 344.0 | 242.0 | 146.5 | 83.0 | 48.6 | 35.75 | 28.70 | 24.35 | 16.05 | 7.20 |
| 10.20V | A | 43.20 | 29.50 | 20.50 | 13.10 | 6.76 | 4.03 | 3.00 | 2.40 | 2.06 | 1.37 | 0.61 |
| | W | 479.5 | 327.0 | 227.5 | 145.5 | 78.0 | 46.7 | 34.75 | 27.80 | 23.90 | 15.80 | 7.00 |
| 10.50V | A | 40.85 | 28.08 | 19.20 | 12.70 | 6.54 | 3.95 | 2.95 | 2.28 | 2.04 | 1.35 | 0.60 |
| | W | 463.0 | 318.0 | 217.5 | 144.0 | 75.7 | 45.8 | 34.15 | 26.40 | 23.75 | 15.65 | 6.95 |
| 10.80V | A | 38.00 | 26.60 | 18.00 | 12.35 | 6.32 | 3.85 | 2.90 | 2.24 | 1.95 | 1.31 | 0.59 |
| | W | 442.0 | 309.0 | 209.5 | 143.5 | 73.5 | 44.8 | 33.75 | 26.08 | 22.70 | 15.00 | 6.80 |
| 11.10V | A | 36.00 | 25.20 | 16.80 | 12.00 | 6.10 | 3.75 | 2.75 | 2.20 | 1.87 | 1.28 | 0.57 |
| | W | 428.5 | 299.5 | 199.5 | 142.5 | 72.5 | 44.5 | 32.75 | 26.00 | 22.20 | 14.50 | 6.75 |